

total hygiene limited



clos^omat™

hygiene beyond expectation

total hygiene: total commitment

Total Hygiene is committed to providing innovative healthcare products aimed at making the lives of less able people and their carers a little easier:

- Over 40 years of healthcare experience
- Market leaders
- Production record of almost 40,000 shower toilets
- A team of 15 service engineers
- A network of representatives providing site demonstration / survey visits
- An experienced customer service team (UK based)



installation and servicing

- Free no-obligation professional survey visit
- Quality installations carried out in a timely fashion
- Free commissioning visit following installation – *for peace of mind*
- First-class after sales and maintenance scheme



index



palma vita
shower toilet
page 4



lima lift height
adjustable shower
toilet
page 6



paediatric support
systems
page 8



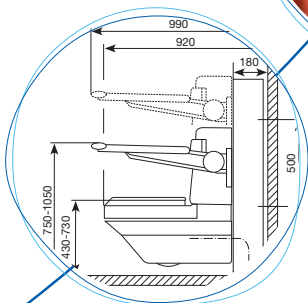
bariatric support
systems
page 10



clos-o-mat compatible
shower chairs
page 11



after sales and
maintenance
page 12



guide to
specification
page 13

palma vita shower toilet

palma vita

The Clos-o-Mat Palma Vita automatic WC shower toilet provides flushing, washing and warm air drying from one simple operation. It is user-friendly for people who have restricted use of their hands. By reducing hand contact, it also provides improved hygiene for all users.

palma features

- Simultaneous flushing and washing (a unique feature)
- Improved personal hygiene – cleaning with water not paper
- Can be used at all times as a conventional WC
- Combines functions of a WC and bidet with addition of drying air
- UK made in a dedicated plant
- Clos-o-Mat's unique **one touch** system allows the user to benefit from the toilet's automatic functions by just pressing and releasing the elbow pad
- Simple 'hands free' action automatic flushing, warm water washing and warm air drying
- User-friendly system guarantees the most hygienic toilet performance
- Customised to suit individual needs
- Installation and service support available
- Almost 40,000 shower toilets installed in the UK



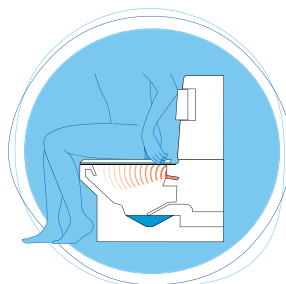
how it works



Flushing



Washing



Drying

Flushing

Press either elbow pad whilst standing for conventional flush.

Washing

Press elbow pad whilst seated and hold down for approximately 10-15 seconds, flushing and warm water washing will then take place.

Drying

Warm air drying automatically follows when elbow pad is released.

optional extras



1



2



3



4



5



6



7



8



9

1 Integrated Fold-down Support Arms

Robust and secure support arms designed and manufactured specifically for the Palma Vita. This convenient support system not only folds out of the way to aid side transfer from a wheelchair; it also has a number of additions that can further aid the user's stability. A lap strap is also available.

2 Soft Arm Sleeves

Easy to fit, the Soft Arm Sleeves provide a comfortable, hygienic and stylish dimension to the Integrated Fold-down Support Arms.

3 Lateral Body Supports

These easily adjustable and comfortable additions help to provide extra support and stability to the user; in conjunction with the Integrated Fold-down Support Arms. For paediatric supports see page 8.

4 Soft Seats

Options available are Junior, Adult and Adult Open Fronted. All soft seats are supplied in a dark blue colour to aid the visually impaired.

5 Alternative Douche Arms

- Extended Single Spray
- Twin Spray

All douche options are included in the price of the Palma Vita. Douche arm illustrated is standard with the Palma Vita.

6 Shaped Plinth

Manufactured in shaped white plastic to match the Palma Vita contours, plinths are used to raise the whole unit. For use with a shower chair or to aid direct wheelchair transfer. Plinths come in heights of 25, 50, 75 and 100mm.

7 Touch Sensitive Hand/Foot Switch

This device is for those users who are unable to use the standard elbow pads. Air operated, no electricity is required to operate it, only very light pressure.

8 Infrared Remote Control

This simplistic 'push and go' style infrared control provides a versatile option lending itself particularly well when used by carers.

9 Proxy Switch

Making use of "passive technology" the Clos-o-Mat Proxy Switch allows users with little or no grip to activate the unit, simply by passing their hand / body-part in front of the sensor.

lima lift height adjustable shower toilet

lima lift

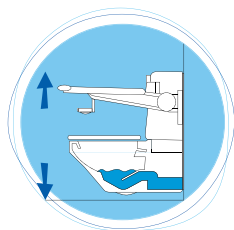
The Lima Lift automatic WC shower toilet provides flushing, washing and warm air drying from one simple operation.

In addition to this the Lima Lift is height adjustable making it ideally suited to multi-user situations, as it features finger-tip control via an infra-red remote to adjust the height up and down.

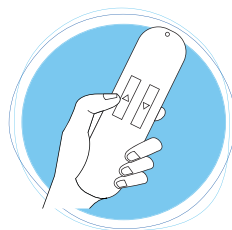
- Seat height adjustment from 430mm to 730mm.
- Drop-down arms can be raised or lowered with the lift.
- Easy access for compatible shower chair use.
- Improved personal hygiene.
- Can be used at all times as a conventional WC



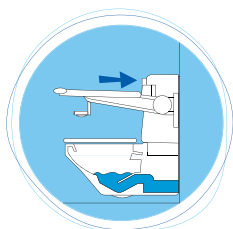
how it works



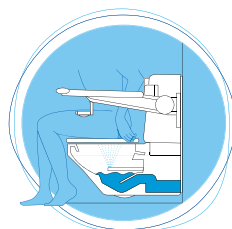
1. Lima Lifter
The Lima Lifter is a height adjustable Shower Toilet, with fold-away support arms.



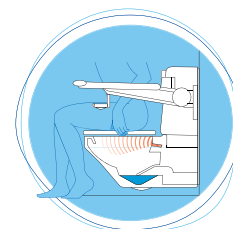
2. Adjust
Adjust toilet to correct height using the remote control device. Can be used to assist with standing.



3. Flushing
Press either elbow pad whilst standing for conventional flush.



4. Washing
Press elbow pad whilst seated and hold down for approximately 10-15 seconds, flushing and warm water washing will then take place.



5. Drying
Warm air drying automatically follows when elbow pad is released.

“raising the standard in bathroom care and safety”

the lima lift is available in 3 versions:

Type A – Surface mounted.

This unit including the lifting device is required to be secured to the finished wall surface. It therefore relies on the structural strength of the wall to which the unit is being fitted.

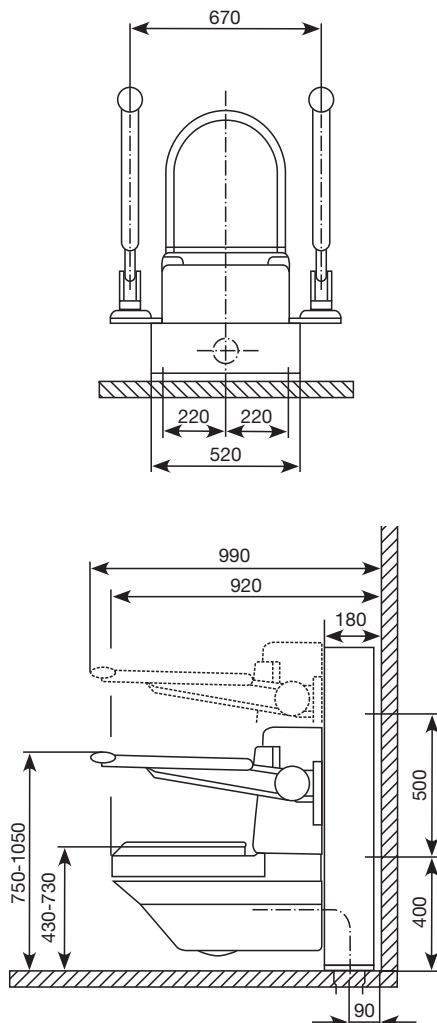
Type B – Surface mounted plus plate.

The Type B Lima Lift as with the Type A makes use of the finished wall surface but comes with an additional floor plate acting as a cantilever when extra stability is required

Type E – Integrated.

When space is limited the Type E Lima Lift should be considered.

After making a suitable recess in the finished wall to house the lifting device, this version can be installed leaving only the toilet to be seen in the room.



Please note that the maximum weight limit of the Lima Lift is 120Kg (approx: 18 stone).

paediatric support systems

the rifton blue wave toileting system

The Blue Wave Toileting System is a simple and versatile piece of equipment specifically designed with children and young people in mind.

Its dense plastic construction makes the Blue Wave strong, yet light, adaptable and easy to clean.

The Blue Wave is available in two versions allowing for maximum versatility:

toilet-top

Making use of Clos-o-Mat's bespoke bracket, this style of Blue Wave is easily clipped onto the top of the Clos-o-Mat Palma Vita.

Model shown is the high back version used in conjunction with the Clos-o-Mat Integrated Arms.

rollover

Fully adjustable in both height and back-support, the Rollover version provides high levels of flexibility for your child within the wetroom environment.

This style Blue Wave can accommodate both a high-back and low-back support (illustrated with low back)

Harnesses, straps and restraints are available for both (as shown here). Other accessories available are an Anterior Tray, Splash Guard, Abductor and Commode Pan.



toilet-top



rollover

Specification

Internal frame width Rollover Version 440mm • Front seat width between arm rests 405mm • Rear seat width between arm rests 325mm. Low backrest height 460mm • High backrest height 860mm • Weight limit 82 kg (12.5 Stone)

The Blue Wave Toilet Seat is available in 2 sizes: small and large. The small system has a user height range of 760-1270mm and the large has a user height range of 1220-1830mm. Please note that only the larger version is compatible with the Clos-o-Mat. Also the Rollover version requires a single Extended Douche to be specified with the Clos-o-Mat.

columbia support systems

The Columbia Support System makes use of the Integrated Fold-down Arm Supports, now available with the Palma Vita, allowing the system to be taken on and off easily without the use of tools.

The Columbia comes in two versions: Hi-Back and Lo-Back.

- Hi-Back Medium – for children aged 10 years +
- Hi-Back Large – for ages 15 years to adult
- Lo-Back Medium – for junior adults
- Lo-Back Large – for adults

Either the Touch Sensitive Hand Switch or Remote Control is required when using a Columbia and consideration must be given to correct douche option. Clos-o-Mat always recommends a site survey visit.



Hi-Back



Lo-Back



Hi-Back Medium
F20585



Hi-Back Large
L41658



Lo-Back Medium
F22831



Lo-Back Large
F22843

chailey support systems

The Chailey Support System makes use of the Integrated Fold-down Arm Supports, now available with the Palma Vita, allowing the system to be taken on and off easily without the use of tools.

The Chailey comes in two versions:

- Size 2 - for children aged 10 years +
- Size 3 - for ages 15 years to adult

A Touch Sensitive Hand Switch is required when using a Chailey and consideration must be given to correct douche option. Clos-o-Mat always recommends a site survey visit.

Lining is at an extra cost



Dimensions	Size 2 – Code 8302	Size 3 – Code 8303
Seat Depth Max (internal)	380mm	400mm
Max Weight	60kg	75kg

bariatric support systems

clos-o-mat bench



The objective of a Clos-o-Mat Bench is to aid larger clients with independent toileting.

The Clos-o-Mat Bench is 'made to order'. As the padded seat and aperture can be custom-made to suit the client, the Clos-o-Mat Bench lends itself to being a long-term toileting solution.

specification

- Powder-coated tubular steel frame
- Vinyl covered seat
- Non-slip rubber feet
- Maximum load 349kg (55 stone)
- Height; 410mm (Standard)**
- Width; 590mm
- Depth; 450mm
- Optional armrests
- Seat aperture; normal or horseshoe

**Alternative height available - to be specified on order

bariatric aerolet toilet lift

The Aerolet range by Clos-o-Mat.* An extensive range of products designed to facilitate independent toilet use for a variety of needs.

This electronically controlled toilet lift gently raises and lowers while the user remains fully seated, supported and in control at all times, ensuring safe, comfortable personal hygiene management.

specification

- Offers perfect support for bariatric users
- Maximum lift capacity of 300kg (660lb)
- Supplied with ergonomic seat specifically designed for heavy users



*See separate brochure for full Aerolet Range

palma vita compatible shower chairs

T40 Auto

Carer Assisted, the T40 Auto Shower Chair provides the security and flexibility a conventional shower chair does but with the added benefit of being Clos-o-Mat PalmaVita compatible.

T70 Auto

Equipped with 22" rear wheels the T70 Auto shower chair allows the user to maintain independence by self-propelling either into the shower or over the Clos-o-Mat PalmaVita.



product shown is T40 Auto

specification

Both chairs are fitted with, as standard:

- Pram handles (option for Push handles on order)
- Integrated skirt surrounding aperture
- Horseshoe seat*
- Adjustable footrests

For added flexibility, the Auto range of chairs comes in the following seat widths, which must be stated when ordering:

- 'A' = 21" (540mm)
- 'B' = 19" (490mm)
- 'C' = 17" (440mm)

*Full aperture available on request



after sales service and maintenance

guarantee

Commissioning is included in the cost of the Clos-o-Mat unit. Our engineers commission each Clos-o-Mat unit 10-14 days from installation date.

The commission checks that the unit is installed correctly, ensures the user is familiar with how it works and makes any adjustments in temperatures or pressures to suit the client.

The guarantee period of 12 months commences from date of commission.

comprehensive service contract

As manufacturers we recommend that the unit is regularly serviced. This will undoubtedly extend the unit's lifespan.

Our comprehensive Service Contract comprises:

One annual service visit
Unlimited responses to any faults which may occur

We offer Service Contracts to cover 1-5 years which can either be pre-paid or paid monthly if required.

The failsafe system and douche arm operation should be checked at regular intervals for Health & Safety reasons. We recommend that trained Clos-o-Mat engineers only carry out these checks.

For more information on our After Sales Service or take out a new Service Contract, please contact us on Freephone:

0800 374 076



guide to specification

When specifying / purchasing the Clos-o-Mat Palma Vita automatic WC shower toilet please consider the following:

is it easy to use?

Clos-o-Mat is user-friendly – All functions: flushing, washing and drying are initiated by one simple action – press for flushing and washing, release for drying. Uniquely, flushing and washing are simultaneous, thereby reducing infection risk.

installation

Total Hygiene offers a manufacturer's approved installation service either in-house or by appointed quality installers.

It can also be installed by a competent plumber/electrician. All installations on the UK mainland are commissioned by the company's own engineers.

The Clos-o-Mat can be installed and connected to a Macerator if required and if space allows.

For difficult service conditions or restricted locations a no-obligation survey visit is recommended. Full guidance is given in our installation manual.

can I be certain of good after sales service?

Total Hygiene employs a nationwide team of in-house Clos-o-Mat trained service engineers. These specialists ensure the product works correctly and continues to give satisfactory service. A service contract is offered to commence after the 12 months guarantee period has expired.

what services are required?

The unit has an integral pump to ensure adequate pressure for washing. Water supply can be from mains or storage. Electrical supply 220/240V single phase is required (see our installation manual for details).

what optional extras are available?

A full range of options are available to customise the unit to suit individual needs. These include raising plinths, touch sensitive switches, alternative douches, a range of seats, support systems and compatible shower chairs.

where can a unit be seen?

Clos-o-Mat demonstration units are installed in many Independent Living Centres – some are mobile units only – others are available for 'live trial'. Many of our distributors have demonstration units available.

We also offer a free on-site demonstration service in UK mainland.

does the Clos-o-Mat comply with regulations?

The Palma Vita is WRAS approved and meets the requirements of UK Water Regulations. It can be specified for general bathroom use.

reputation

Clos-o-Mat are the inventors of the shower toilet/automatic WC. The Company was first in the field and is still the No.1 choice. The Company products are the result of continuous research and improvements. They are backed by 40 years experience in marketing shower toilets/automatic WC. The product is made in a dedicated assembly plant in Stretford, Manchester. There are almost 40,000 Clos-o-Mat units in the UK and over 100,000 units worldwide.

other models

The Lima Lift is a Clos-o-Mat mounted on a lifting system making it height adjustable via an infra red remote control. This is an ideal product for multi-user installations.

Clos-o-Mat is a significant item. It is an investment in privacy, dignity and independence. Ensure you specify the best available with confidence.

palma vita technical data

electrical services

Electrical installation should be in accordance with I.E.E. Regulations (Current Edition)

- 220/240v single phase AC supply is required, (loading 10 amp, maximum power 1300 watts). The Clos-o-Mat is supplied with 3 core cable attached. A fused spur is required for isolation
- Spur outlet to be located in accordance with current I.E.E. Regulations (Current Edition)
- **Clos-o-Mat has IPX4 rating**

bathroom/shower room installations

- The Clos-o-Mat must not be in direct line with the shower spray. Some form of partition between shower and Clos-o-Mat is advisable to prevent any water spraying directly onto the equipment.
- A shower should not be used in conjunction with the Clos-o-Mat. i.e. under no circumstances must a user shower whilst seated on the Clos-o-Mat.

water services

- **It is essential that the entering water is cold**
- 15mm cold water service only
- We would recommend water supply isolated via isolation valve
- Water supply can be from level storage or mains
- Boiler Capacity: 1.7 litres
- Water rate: min. 8 l/min.
max. 0.8 PMa (8 bar)
- Cistern capacity: 6-9 litres, set at 6 litres

overflow

- The Clos-o-Mat has an internal overflow which discharges into the W.C. pan through the flush valve

soil connection

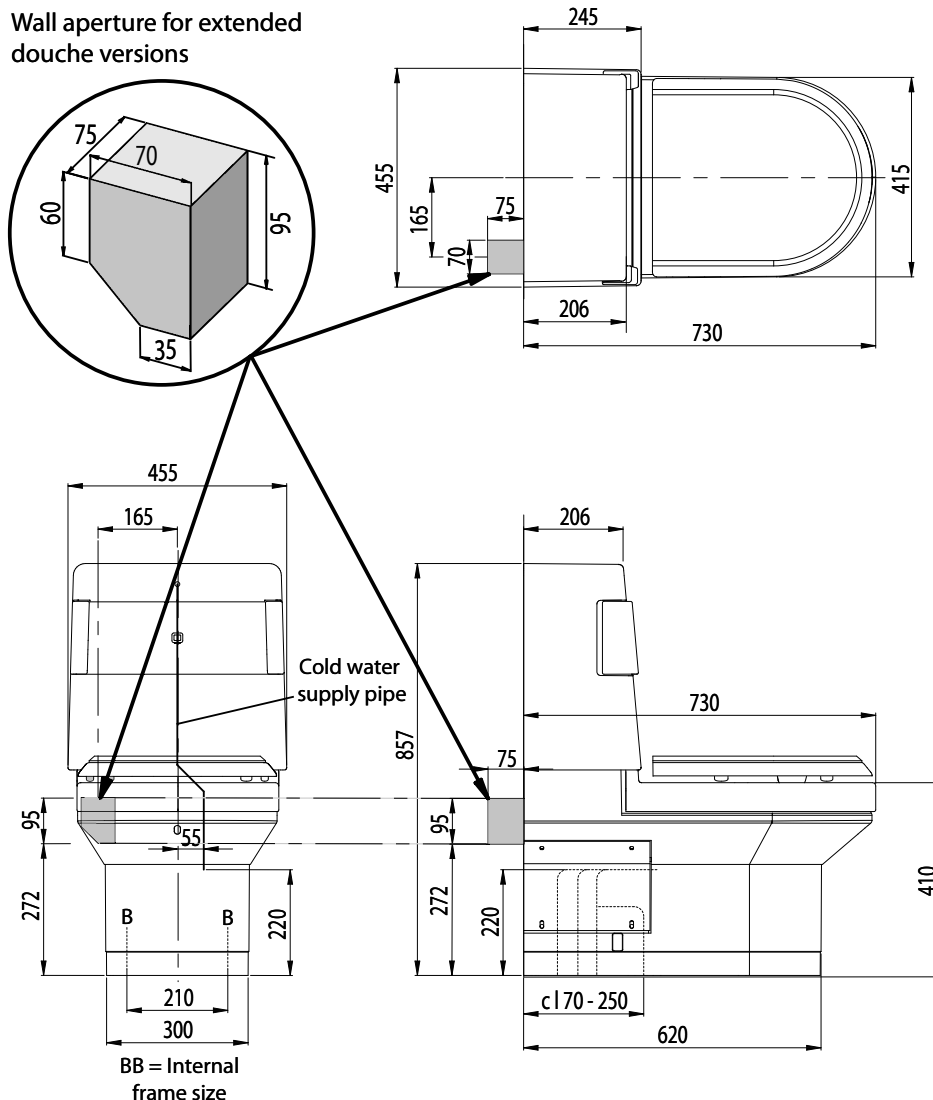
- Relevant soil connector to be sourced by installer
- Soil connections suitable for Clos-o-Mat; S-Trap (vertical fall) wall to centre of pipe from 70mm-250mm max. P-Trap (horizontal) wall to centre of pipe 200mm max
- The Clos-o-Mat is suitable for all turned trap outlets, through purpose made removable side covers on lower level

further notes

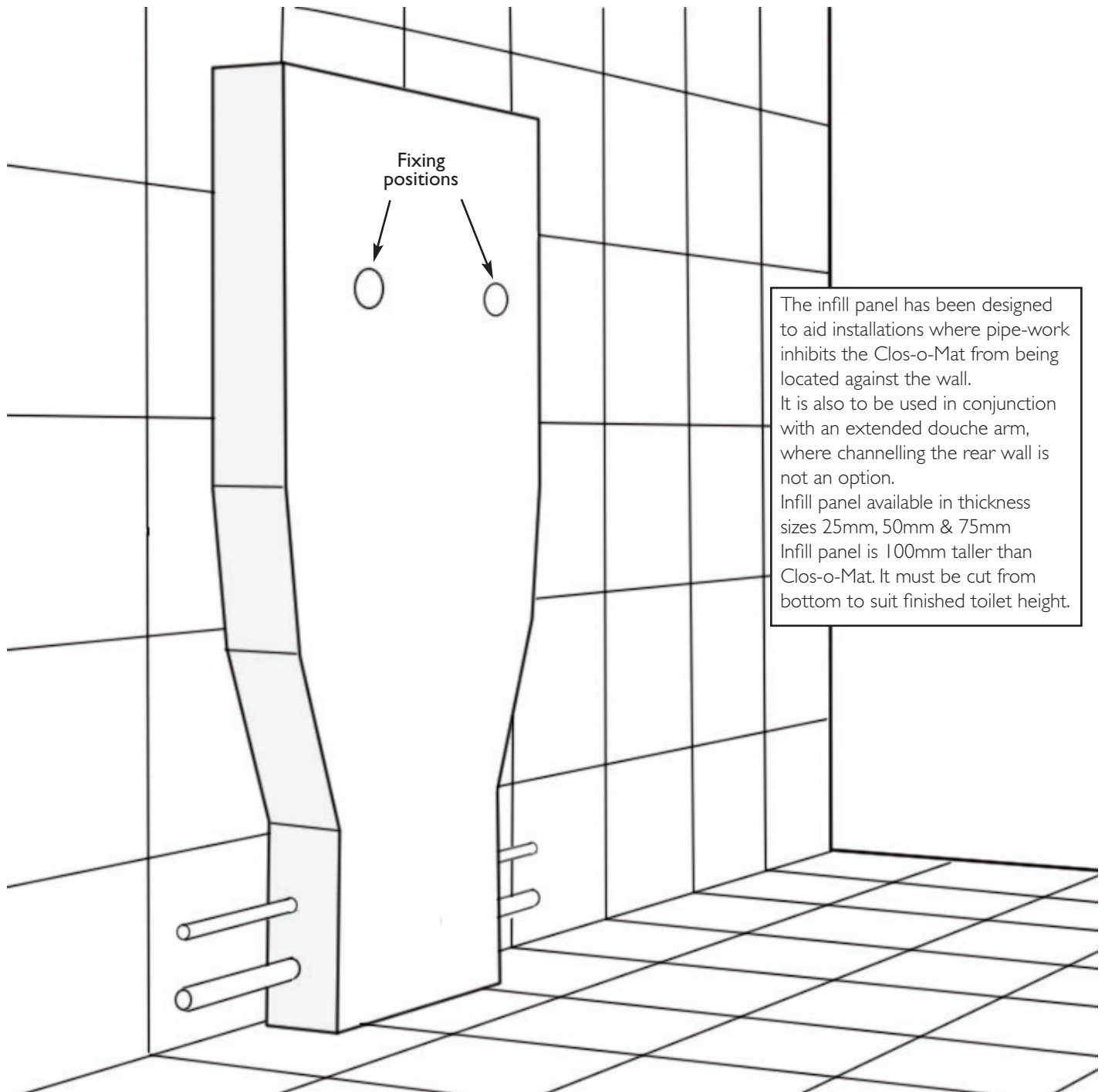
- No permanent hand rails or other obstructions should be fitted across the front or top of the unit. The white outer casing has to be pulled upwards and forward to remove for servicing purposes.
- If extended douche option is specified, space must be made to accommodate douche arm which extends beyond rear of casing. Optional infill panel available to avoid the need to chase wall. Unit can be fitted away from rear wall if required.

infill panel

The infill panel specifications are printed on the inside of the rear cover



infill panel



www.clos-o-mat.com

clos[•]mat™

total
hygiene

WRAS
APPROVED
PRODUCT

Total Hygiene Limited • Bank House • 182-186 Washway Road • Sale • Cheshire • M33 6RN • Fax: 0161 973 2711

Tel: 0800 374 076

Email: info@total-hygiene.co.uk